

## Surface Mount Super Fast Recovery Rectifier

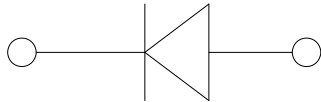
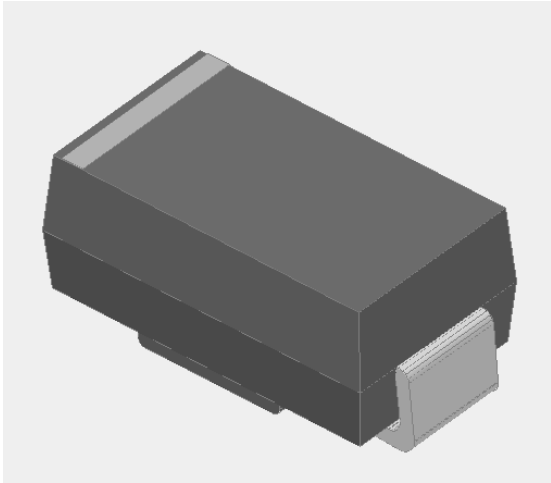
### Features

### Typical Applications

### Mechanical Data Package

### Terminals

### Polarity:



### Maximum Ratings

PARAMETER	SYMBOL	UNIT	MURS160Q

### Electrical Characteristics

PARAMETER	SYMBOL	UNIT	TEST CONDITIONS	MURS160Q



# MURS160Q

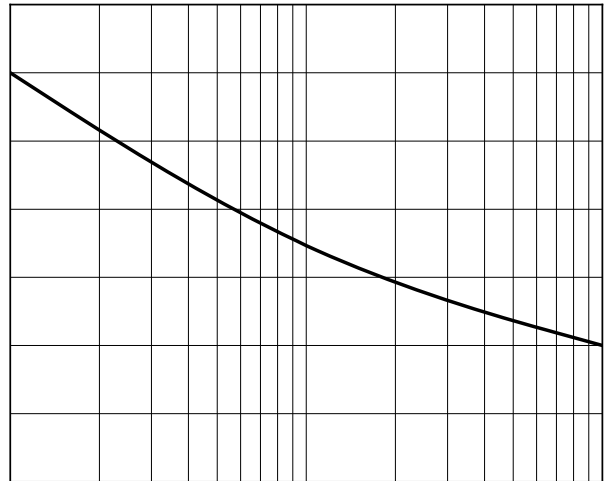
## Dynamic Characteristics

PARAMETER	SYMBOL	UNIT	TEST CONDITIONS		Min	Typ	Max

## Thermal Characteristics

PARAMETER	SYMBOL	UNIT	MURS160Q

## Characteristics

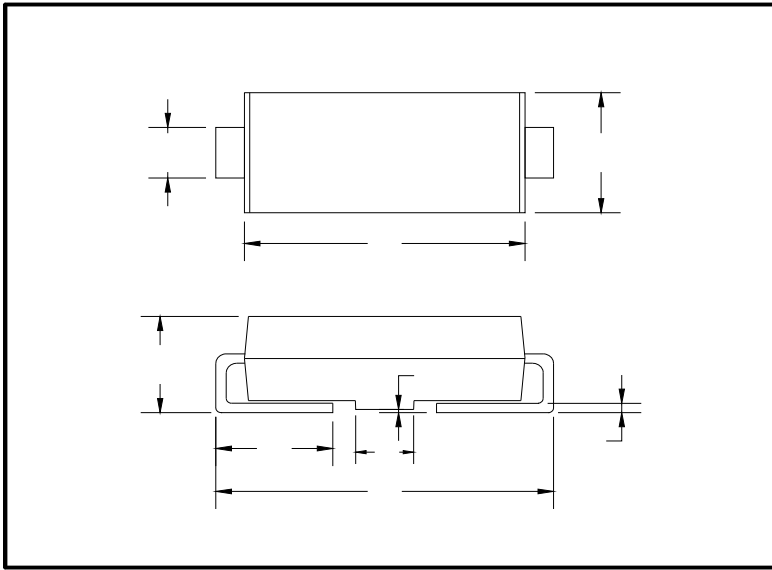






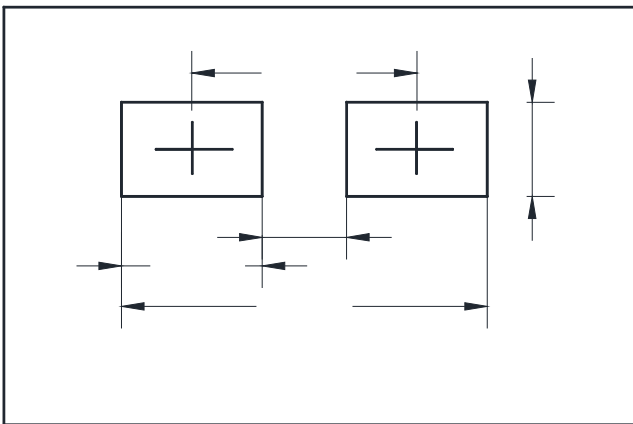
# MURS160Q

## Outline Dimensions



DO-214AC(SMA)		

## Suggested Pad Layout



DO-214AC(SMA)	



**Disclaimer**